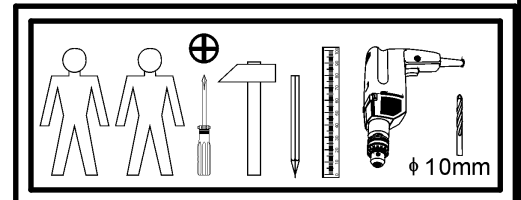
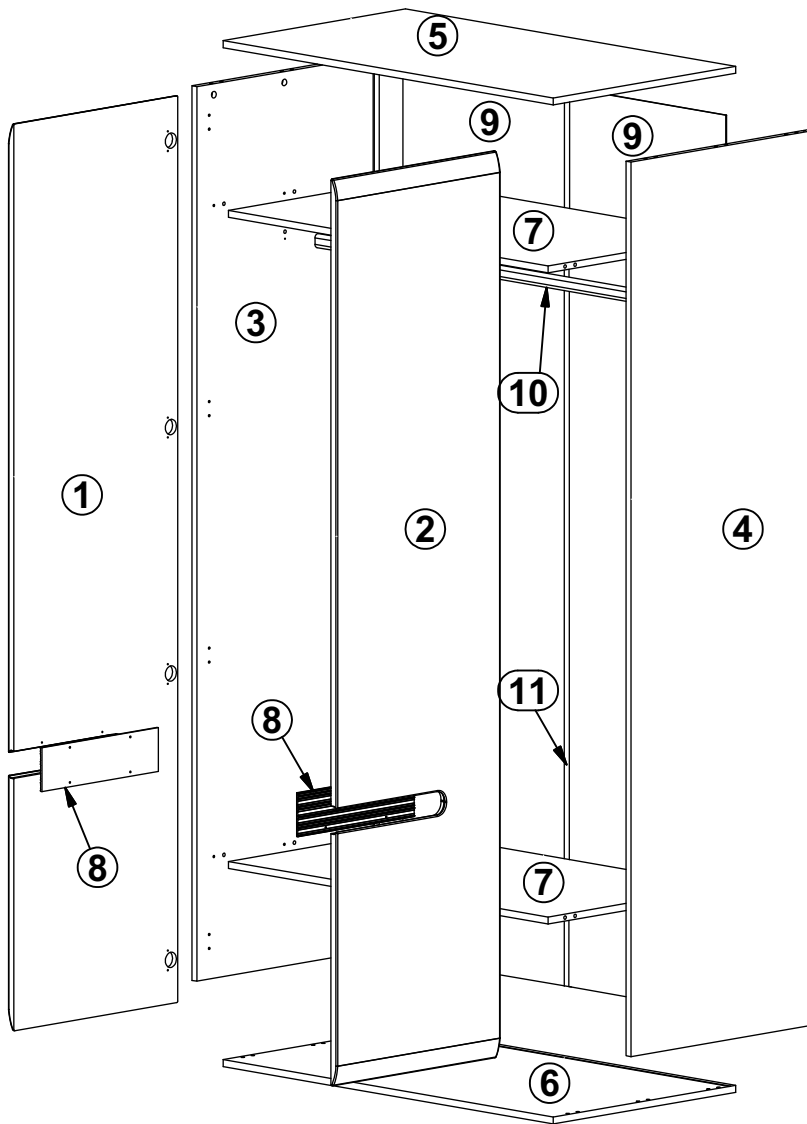
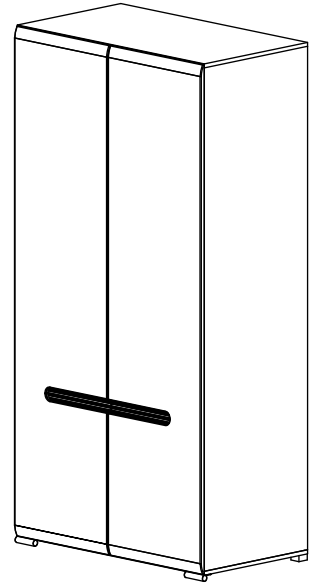
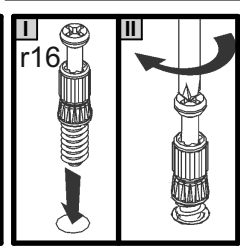
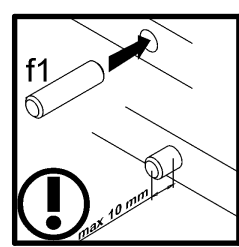
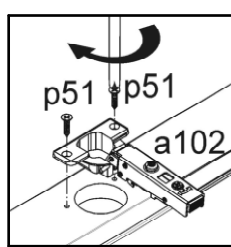
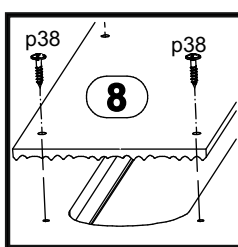
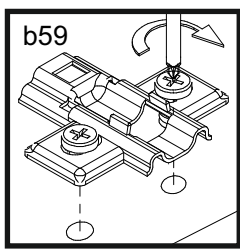
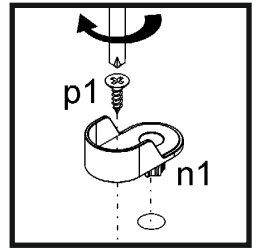
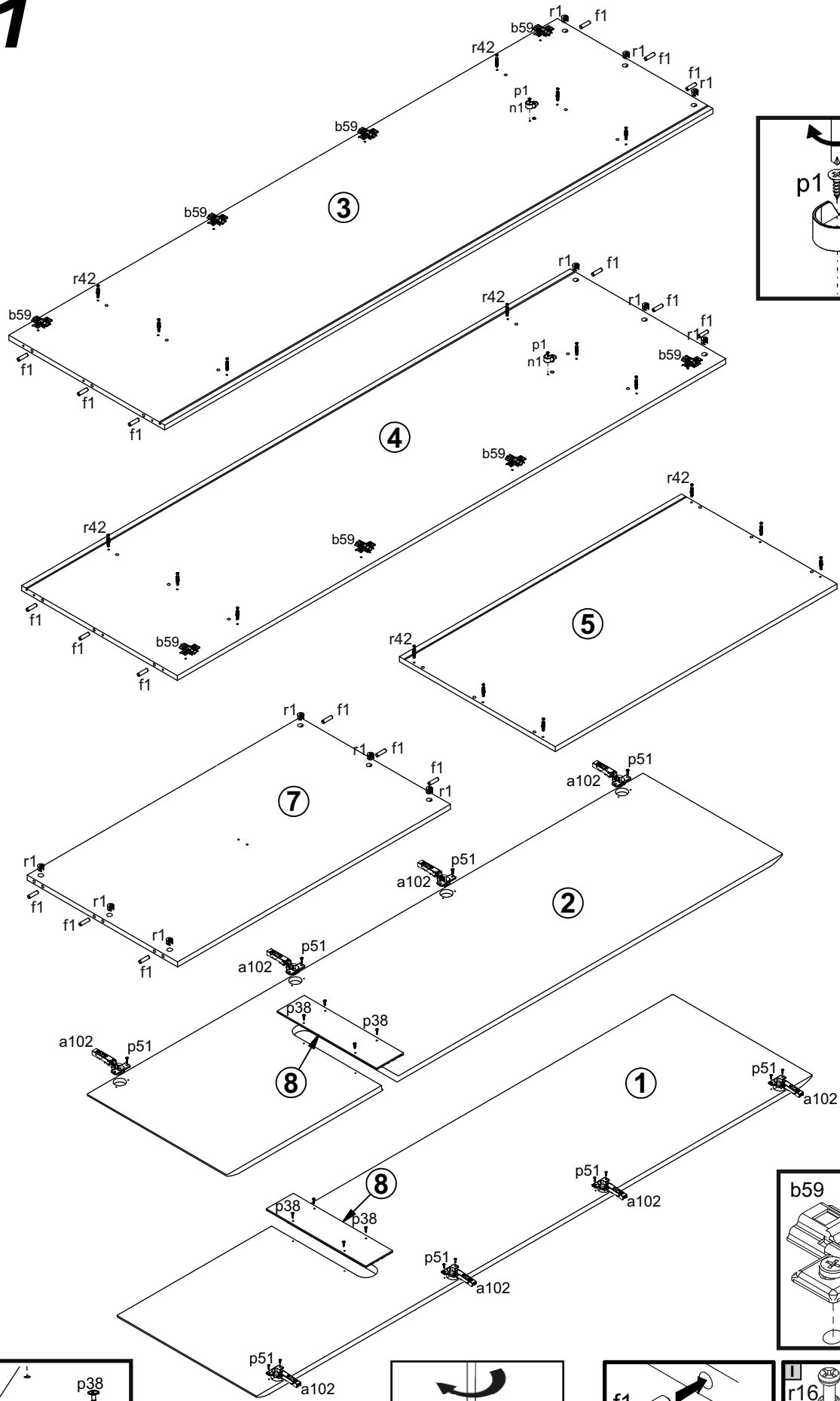


A	B	C		D
1	S205-034	2071	521	3/3
2	S205-035	2071	521	3/3
3	S205-150	2043	580	1/3
4	S205-151	2043	580	1/3
5	S205-230	1050	580	2/3
6	S205-231	1050	580	2/3
7	S205-327	1017	560	2/3
8	S205-583	370	100	2/3
9	S205-968	2053	513	1/3
10	dr-1008	1008	30	2/3
11	Lh-2035	2035	14	1/3

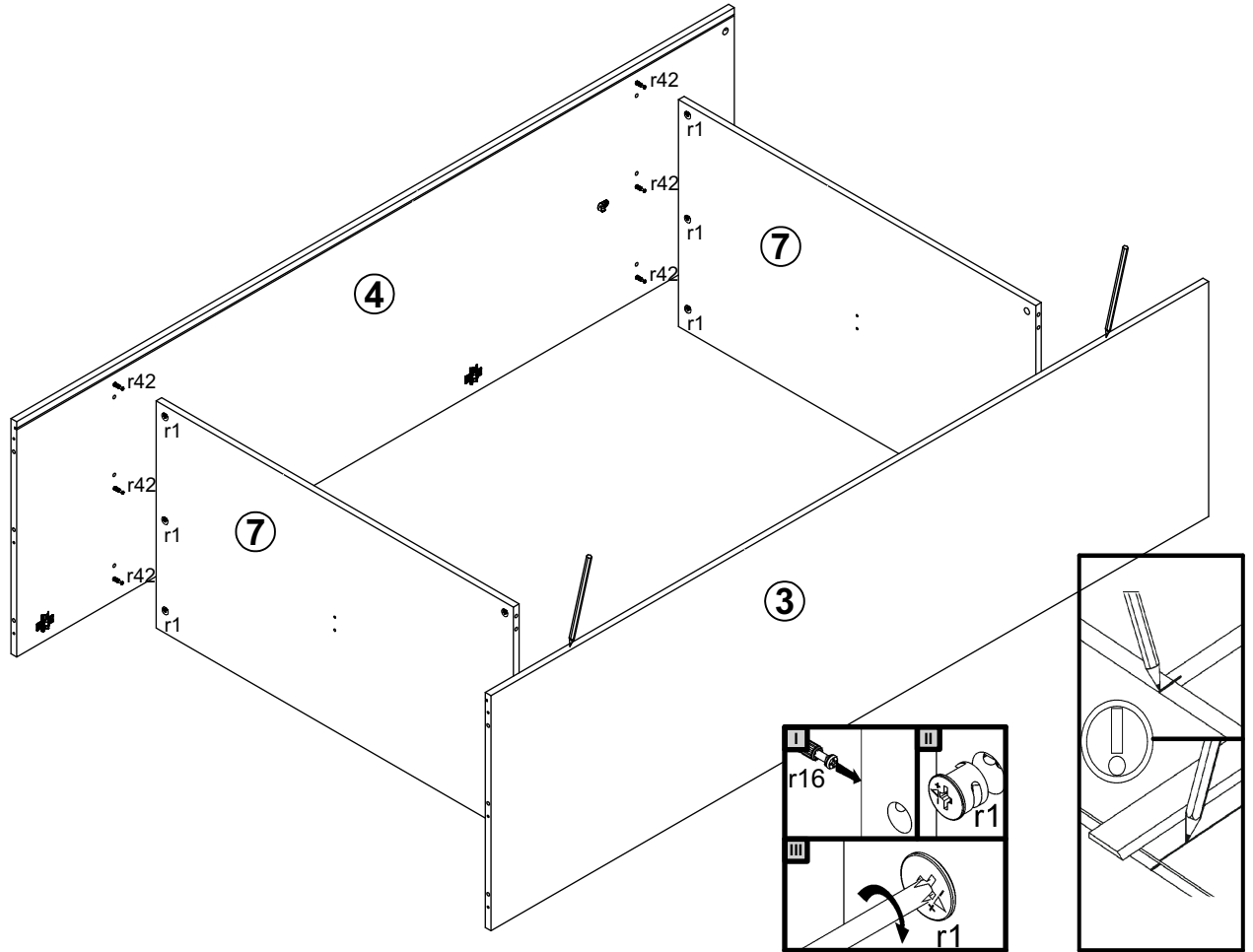


8x a102	8x b59	6x e1	24x f1	2x k84	3x k85	20x l1	22x l2
1x n2611	6x p6	2x e3	16x p51	15x p38	18x r1	18x r42	18x s2
1x z1	1x p17	1x f35	2x p1	2x n1	1x qb18		

§2 1



2



3

